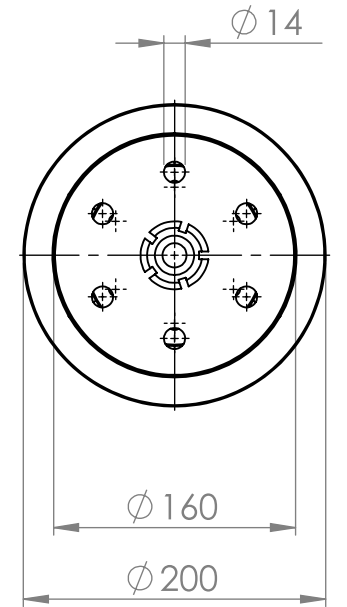
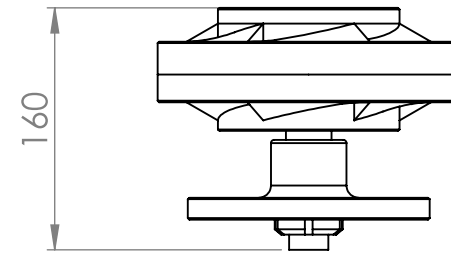


ISO view
SCALE 1:20



ISO view
SCALE 1:5

Tekeningen zijn eigendom van AIRTURB

UNLESS OTHERWISE SPECIFIED: DIMENSIONS ARE IN MILLIMETERS		FINISH:		DEBURR AND BREAK SHARP EDGES		DO NOT SCALE DRAWING		REVISION	
SURFACE FINISH:									
TOLERANCES:									
LINEAR:									
ANGULAR:									
DRAWN		NAME	SIGNATURE	DATE			TITLE: AIRTURB		
CHK'D									
APPV'D									
MFG									
Q.A					MATERIAL:	DWG NO. AIR - 002 - V01		A3	
					WEIGHT:	SCALE:1:20		SHEET 1 OF 1	